
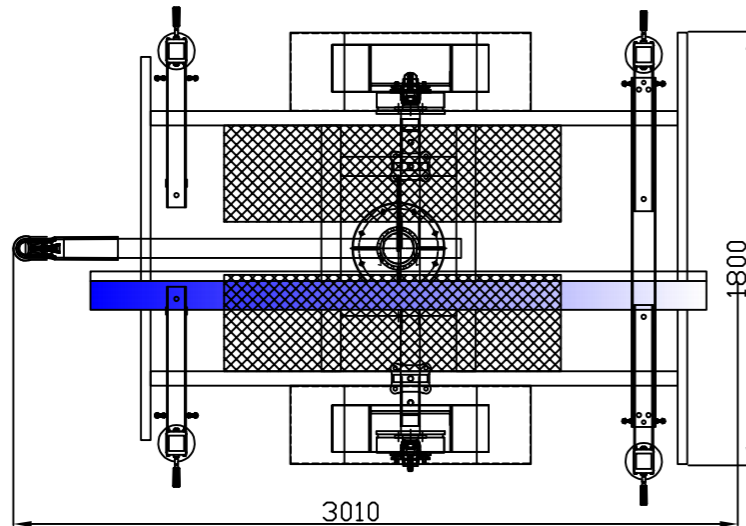
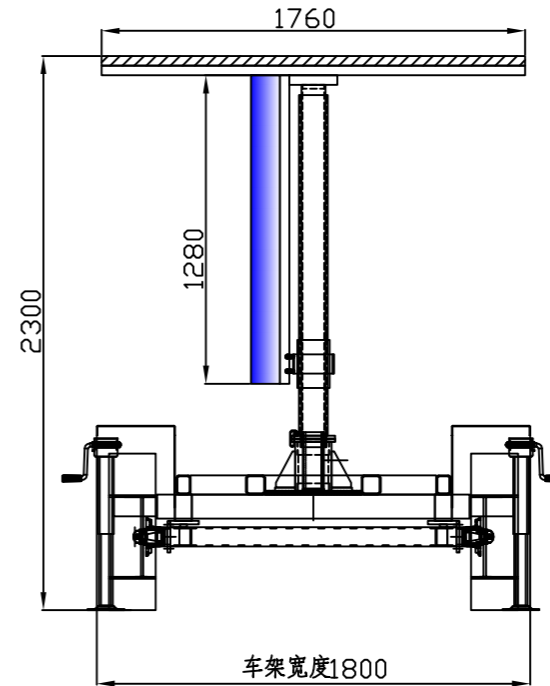
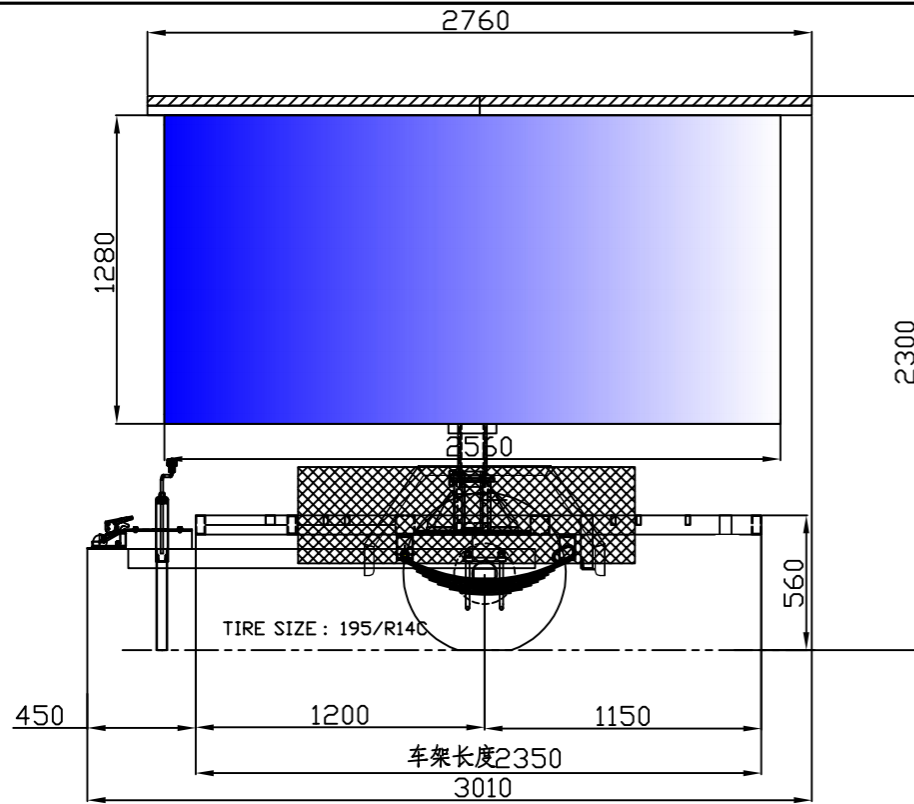


Remarks:
 The size and configuration of the plan are for reference only. The actual contract and design requirements are the basis for the specific production.

 HENAN MOBO ELECTRIC TECHNOLOGY CO., LTD					
Design		GENERAL LAYOUT 2.45M TRACTION LED PROPAGANDA VEHICLE	Drawing Identification	Number	Proportion
Standard			B		1:5
To examine			Co-Du		
Technology			DESIGNED&MANUFACTURED BY MOBO ELECTRIC TECHNOLOGY.		
Approval					



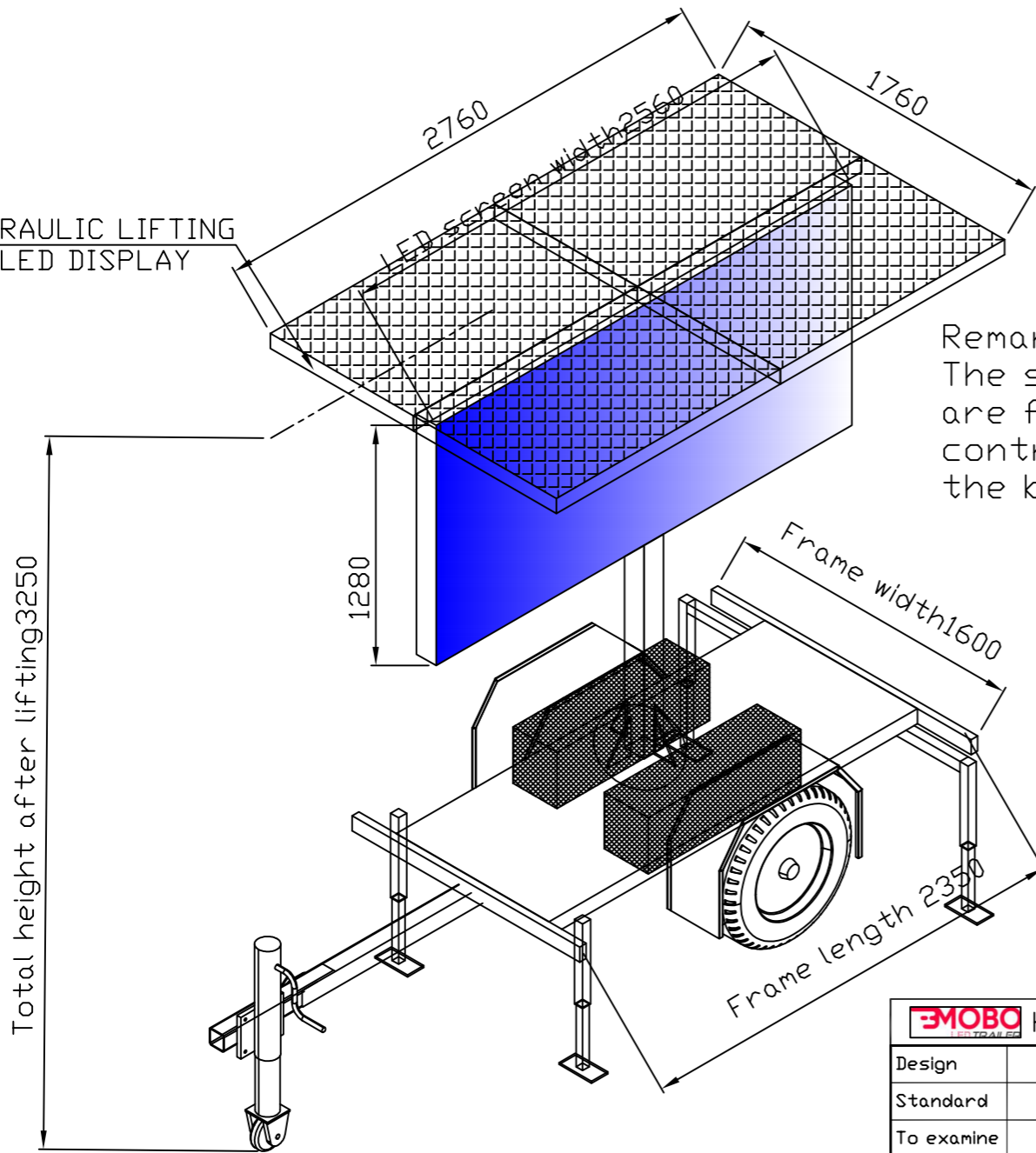
Remarks:

The size and configuration of the plan are for reference only. The actual contract and design requirements are the basis for the specific production.

MOBO HENAN MOBO ELECTRIC TECHNOLOGY CO., LTD

Design			GENERAL LAYOUT	Drawing Identification	Number	Proportion
Standard				B		1:5
To examine				Co-Du		
Technology				DESIGNED&MANUFACTURED BY MOBO ELECTRIC TECHNOLOGY.		
Approval						

HYDRAULIC LIFTING
LED DISPLAY



Remarks:

The size and configuration of the plan are for reference only. The actual contract and design requirements are the basis for the specific production.

		HENAN MOBO ELECTRIC TECHNOLOGY CO., LTD		
Design		DESIGN SKETCH	Drawing Identification	
Standard			Number	Proportion
To examine		2.45M TRACTION LED PROPAGANDA VEHICLE	B	1:5
Technology			Co-Du	
Approval			DESIGNED&MANUFACTURED BY MOBO ELECTRIC TECHNOLOGY.	